

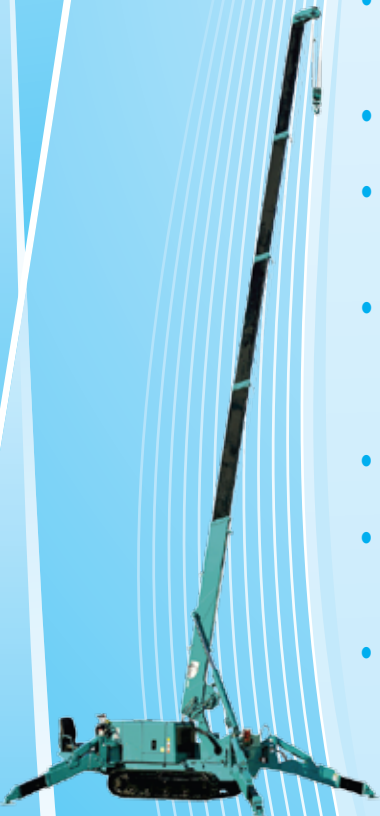


MC305-2

MINI CRAWLER CRANE

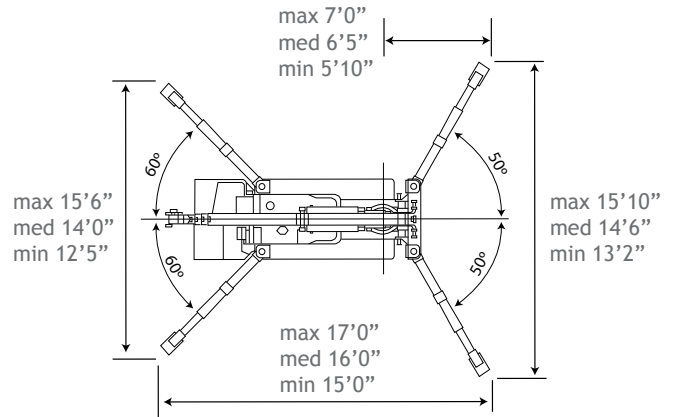
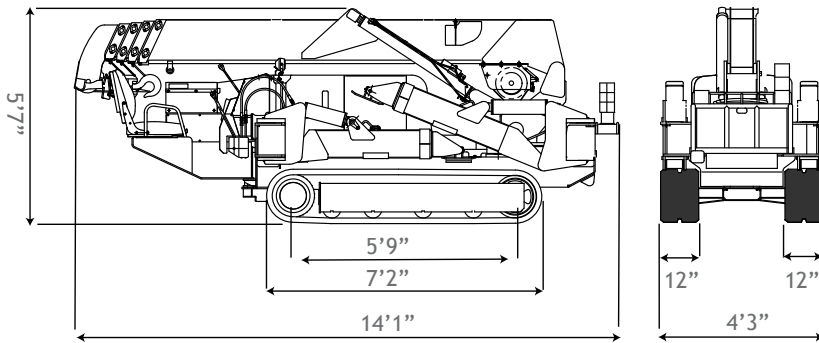
- 5 SECTION FULLY AUTOMATIC BOOM
- CONFINED AREA 3 POSITION OUTRIGGER SYSTEM
- RUBBER TRACKS
- 2 SPEED TRAVEL & CRANE FUNCTIONS
- 2 SPEED WINCH WITH HYDRAULIC DISC BRAKE
- PROGRAMMABLE CAPACITY MOMENT LIMITER

- ANTI TWO BLOCK, TILT SENSOR ALARM
- 360° SWING
- AUTOMATIC HOOK STOWAGE
- OPERATOR'S SEAT WITH CENTRALIZED CONTROLS
- REMOTE CONTROL
- 1/2/4 PARTS REEVING CAPACITY
- EPA COMPLIANT DIESEL ENGINE, DUAL POWER ELECTRIC MOTOR (optional)



| | | |
|-----------------------------|---------------------------|---|
| Crane Model | | MC305CRM(E)-2 |
| Maximum Capacity | | 6,560 lb. |
| Maximum Working Radius | | 39.8' |
| Maximum Lifting Height | | 41' |
| Hook Speed | | 44' / min 4 Part / 4th Layer |
| Single Line Speed | | 177' / min 4th Layer |
| Hoist Rope | | IWRC 6 x WS(26) 8mm x 240' |
| Boom System | Type | Automatic 5 Section, Pentagonal Telescopic |
| | Length | 12'1" - 41'0" |
| | Telescopic Stroke / Speed | 29' / 38 sec. [26 sec.] |
| Outriggers | | 3 Position, Lower and Extend by Direct Acting Hydraulic Cylinders, Manual Swing-out and Pin. |
| Boom Hoist | Angle / Speed | 0° - 80° / 21 secs [14.5 sec.] |
| Swing | Radius / Speed | 360° / 1.7 RPM [2.4 RPM] |
| Travel Crawler System | Drive | Hydraulic Motor, Stepless Speed Changer |
| | Travel Speed | 0 - 1.7 mph |
| | Gradability | 23° Design Limit 15° Set Limit |
| | Ground Contact | 5'9" Length, 12" Wide |
| | Ground Pressure | 5.40 PSI Diesel Model 5.59 PSI Electric Dual Power Model |
| Engine | Type | Yanmar 3TNV76-NMB 4 Cycle, 3 Cylinder, Diesel, Water Cooled |
| | Rated Output | 20.38 hp, 15.3kw, 20.7 ps / 2500 RPM |
| | Fuel Tank | 10.5 Gallon |
| Electric Motor (Dual Power) | Type | Totally Enclosed Fan Cooled Motor |
| | Size | 5.5 kw, 4P, 230V, 3 phase, Inverter 30 hz - 60 hz |
| Remote Control | Standard | Cable Remote Control, Crane & Outrigger Operation, Graduated Micro Speed, Load & Rated Load LCD Display |
| Dimensions | Stowed LxWxH | L 14'1" x W 4'3" x H 5'7" |
| Net Weight | | Diesel Model 8,800 lb. |
| | | Electric Dual Power +300 lb. |
| Optional Equipment | | Dual Power Electric Motor, White Rubber Tracks, Auxiliary Searcher Hook, Single Part Ball/Hook |

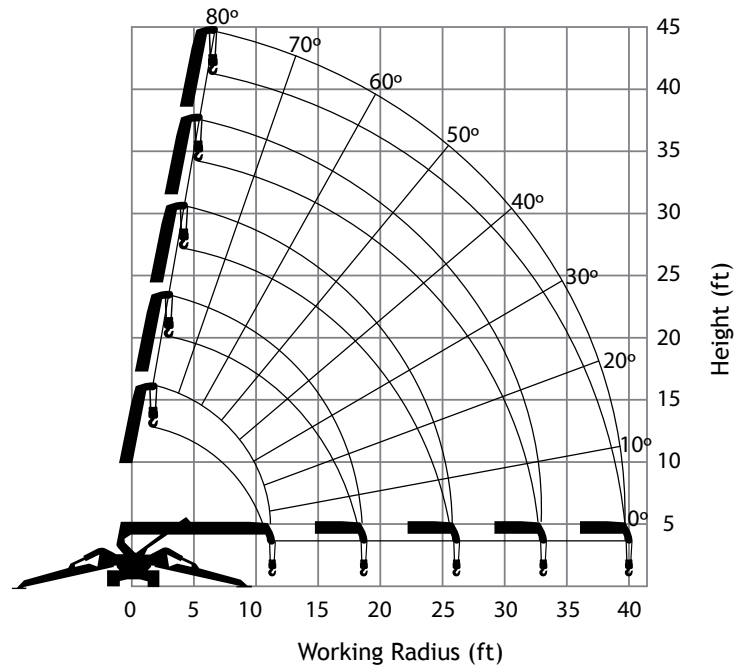
[] = high speed



RATED TOTAL LOAD - MAXIMUM Outriggers, 4 Part Line

| Boom Length | 12.1 Ft. | 12.2 - 19.5 Ft. | 19.6 - 26.7 Ft. | 26.8 - 33.8 Ft. | 33.9 - 41.0 Ft. |
|--------------|-------------|-----------------|-----------------|-----------------|-----------------|
| Radius (Ft.) | Load (Lbs.) | Load (Lbs.) | Load (Lbs.) | Load (Lbs.) | Load (Lbs.) |
| ≤ 8.0 | 6,560 | 6,560 | | | |
| 8.5 | 6,280 | 6,280 | 5,000 | | |
| 10.0 | 5,160 | 5,160 | 4,590 | | |
| 11.5 | | 4,370 | 3,690 | | |
| 13.0 | | 3,810 | 3,200 | 2,380 | |
| 14.5 | | 3,350 | 2,830 | 2,200 | 1,740 |
| 17.0 | | 2,830 | 2,340 | 1,890 | 1,370 |
| 18.0 | | 2,640 | 2,180 | 1,790 | 1,270 |
| 20.0 | | | 1,890 | 1,670 | 1,120 |
| 23.0 | | | 1,600 | 1,470 | 940 |
| 25.5 | | | 1,390 | 1,300 | 850 |
| 29.0 | | | | 1,120 | 760 |
| 32.5 | | | | 970 | 680 |
| 36.0 | | | | | 610 |
| 39.5 | | | | | 570 |

WORKING RANGE



RATED TOTAL LOAD - MEDIUM Outriggers, 4 Part Line

| Boom Length | 12.1 Ft. | 12.2 - 19.5 Ft. | 19.6 - 26.7 Ft. | 26.8 - 33.8 Ft. | 33.9 - 41.0 Ft. |
|--------------|-------------|-----------------|-----------------|-----------------|-----------------|
| Radius (Ft.) | Load (Lbs.) | Load (Lbs.) | Load (Lbs.) | Load (Lbs.) | Load (Lbs.) |
| ≤ 8.0 | 6,560 | 6,560 | | | |
| 8.5 | 6,260 | 6,260 | 5,000 | | |
| 10.0 | 5,100 | 5,100 | 4,530 | | |
| 11.5 | | 4,310 | 3,690 | | |
| 13.0 | | 3,750 | 3,160 | 2,330 | |
| 14.5 | | 3,140 | 2,790 | 2,120 | 1,710 |
| 17.0 | | 2,360 | 2,250 | 1,840 | 1,350 |
| 18.0 | | 2,160 | 2,100 | 1,760 | 1,240 |
| 20.0 | | | 1,700 | 1,630 | 1,070 |
| 23.0 | | | 1,340 | 1,380 | 900 |
| 25.5 | | | 1,150 | 1,140 | 810 |
| 29.0 | | | | 920 | 710 |
| 32.5 | | | | 780 | 640 |
| 36.0 | | | | | 570 |
| 39.5 | | | | | 550 |

Reach Below Grade

| | |
|-----------|-----------|
| Four Part | 53' max. |
| Two Part | 105' max. |
| One Part | 211' max. |

RATED TOTAL LOAD - MINIMUM Outriggers, 4 Part Line

| Boom Length | 12.1 Ft. | 12.2 - 19.5 Ft. | 19.6 - 26.7 Ft. | 26.8 - 33.8 Ft. | 33.9 - 41.0 Ft. |
|--------------|-------------|-----------------|-----------------|-----------------|-----------------|
| Radius (Ft.) | Load (Lbs.) | Load (Lbs.) | Load (Lbs.) | Load (Lbs.) | Load (Lbs.) |
| ≤ 8.0 | 6,560 | 6,560 | | | |
| 8.5 | 6,260 | 6,260 | 5,000 | | |
| 10.0 | 5,050 | 5,050 | 4,530 | | |
| 11.5 | | 3,950 | 3,690 | | |
| 13.0 | | 3,200 | 3,060 | 2,330 | |
| 14.5 | | 2,600 | 2,550 | 2,120 | 1,710 |
| 17.0 | | 1,970 | 1,890 | 1,820 | 1,350 |
| 18.0 | | 1,800 | 1,740 | 1,700 | 1,240 |
| 20.0 | | | 1,430 | 1,460 | 1,070 |
| 23.0 | | | 1,120 | 1,160 | 890 |
| 25.5 | | | 950 | 970 | 810 |
| 29.0 | | | | 770 | 710 |
| 32.5 | | | | 660 | 640 |
| 36.0 | | | | | 530 |
| 39.5 | | | | | 460 |

The Rated Total Load is based on the actual working radius including boom deflection. Due to wire rope strength and other limitations, when using two part or single part hooks use the appropriate four part Rated Total Load Chart but with maximum load of:

Two Part - 3,260 lb. Single Part - 1,650 lb.

The Rated Total Load Chart is supplied for reference only. Operator and all personnel must refer to the actual crane Rated Total Load Chart to determine allowable machine lifting and operating procedures. We are constantly improving our products and reserve the right to change design and specifications at any time.

ASME B 30.5 2004. ISO 9001 compliant